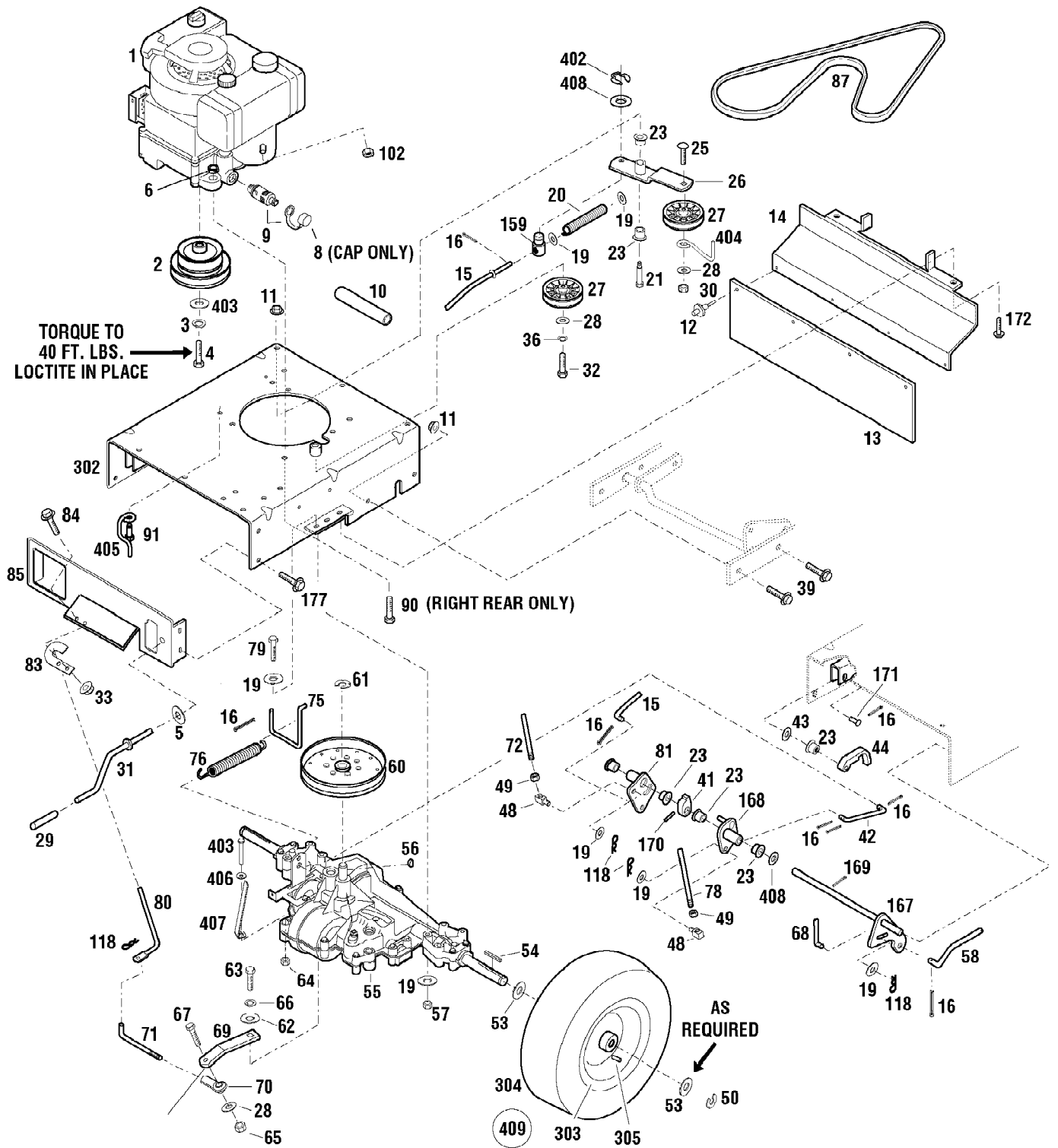


12AF754B766 (2005)
Drive Assembly



12AF754B766 (2005)
Drive Assembly

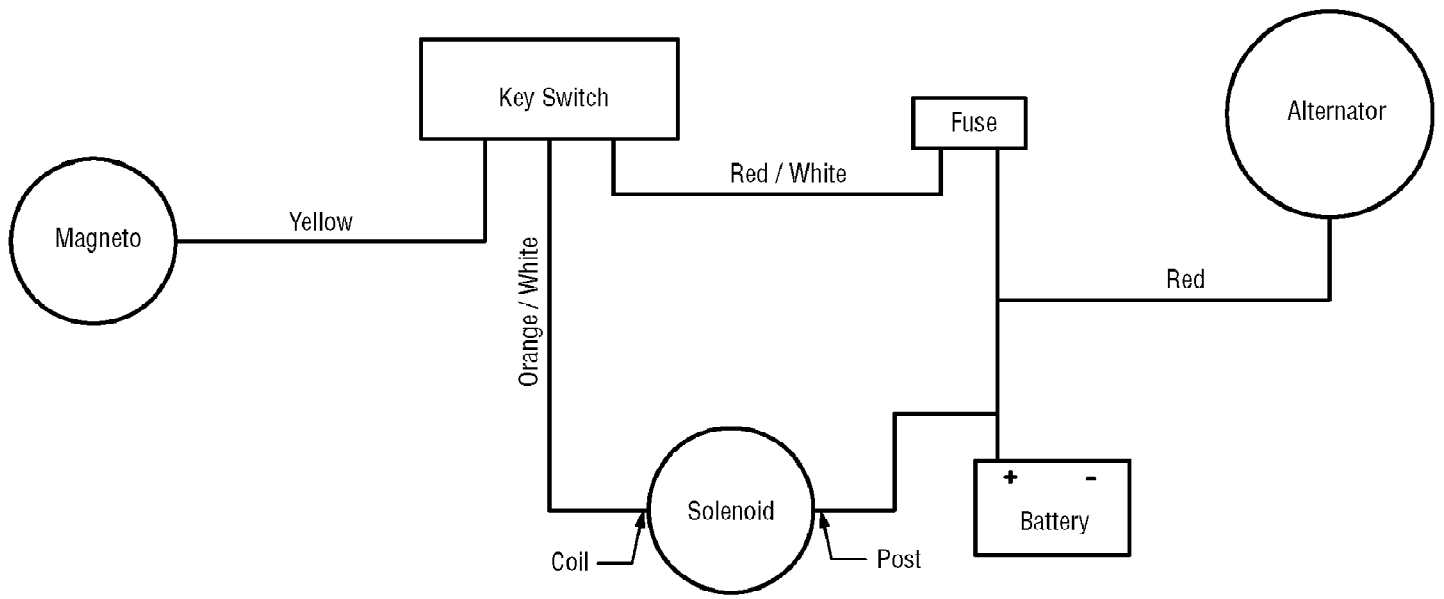
Page 2 of 17

Ref #	Part Number	Qty	S/P/F	Description
1		1		Engine, Electric Start Order parts from your local authorized engine dealer. Refer to engine for model/type number.
		1		Engine, Recoil Start Order parts from your local authorized engine dealer. Refer to engine for model/type number.
2	1769904	1	/P	Engine Pulley
3	736-0171	1	S	Lock Washer, 7/16
4	1740949	1	/P	Bolt, 7/16-20 x 1-3/4
5	1773599	1	/P	Washer, Nylon
6	712-0266	1	S	Ground Wire Jam Nut, 3/8-16 Model F754B
8	1766326	1		Oil Valve Cap
9	1768865	1	S	Oil Valve (Incl. Ref. 8)
10	1769006	1	S	Oil Drain Hose
11	1186393	5	/P	Flange Locknut, 3/8-16
12	1727379	4	/P	Pop Rivet, 3/16
13	1769870	1	/P	Flap
14	1769869	1	S	Flap Bracket
15	1769885	1	/P	Lower Transmission Rod
16	714-0111	8	S	Cotter Pin, 3/32 x 5/8
19	736-0275	5	S	Flat Washer, 5/16
20	1711864	1	/P	Compression Spring
21	1763219	1	/P	Shoulder Bolt
23	1715538	2	/P	Nyliner, 1/2
25	1748393	1		Carriage Bolt, 3/8-16 x 1-3/4
26	687-02011	1	S	Idler Arm
27	1756151	2	/P	Idler Pulley
28	736-3050	3	/P	Flat Washer, 3/8
29	1715685	1	/P	Plastic Grip
30	712-3000	1	S	Top Locknut, 3/8-16
31	1915831	1	/P	Lift Crank Assembly
32	710-0347	1	/P	Bolt, 3/8-16 x 1-3/4
33	1186389	4	/P	Flange Locknut, 1/4-20
36	736-0169	1	S	Lock Washer, 3/8
39	710-04042	4	/P	Flange Lock Screw, 3/8-16 x 1
41	1770361	1	/P	Interlock Cam
42	1769877	1	/P	Lower Brake Rod
43	1702646	3	/P	Washer, Flat 1/2
44	1769881	1	/P	Interlock Latch
48	1725264	2	/P	Swivel Block
49	712-3007	2	/P	Jam Nut, 5/16-18
50	1185388	2	S	Retaining Ring
53	1701447	A/R	/P	Special Washer As required
54	1769781	2	S	Square Key, 3/16 x 2-1/2
55	1769708	1	/P	Transmission Assembly, Model 915-027 Order parts from your local Peerless - Tecumseh dealer.
56	1104436	1	S	Woodruff Key, 3/16 x 3/4
57	712-3004A	4	/P	Flange Nut, 5/16-18
58	747-04015	1	/P	Lower Blade Rod
60	1770326	1	/P	Transaxle Pulley
61	1118808	1	/P	Retaining Ring

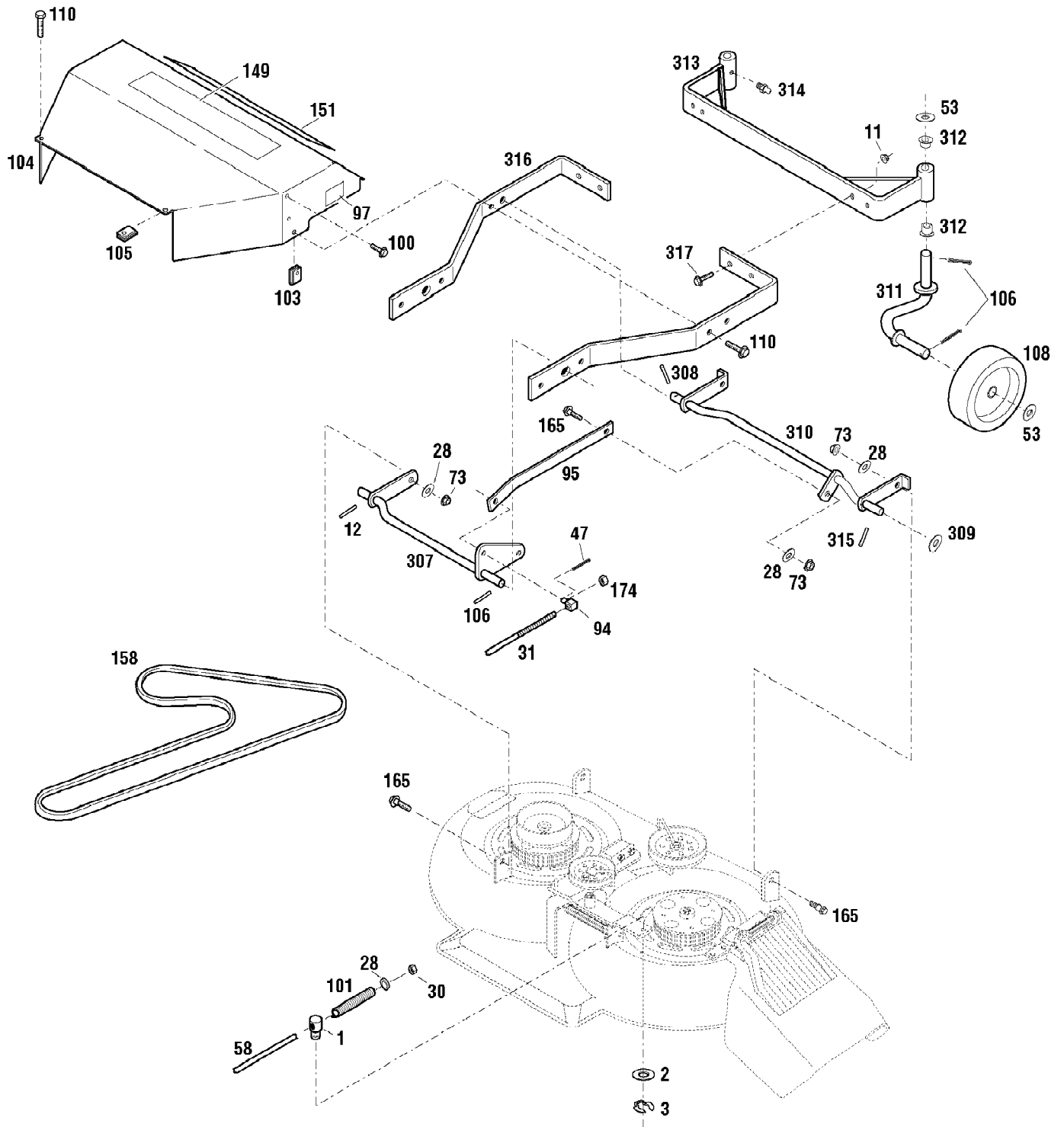
12AF754B766 (2005)
Drive Assembly

Page 3 of 17

Ref #	Part Number	Qty	S/P/F	Description
62	736-0463	3	S	Flat Washer, 1/4
63	710-0412	1	/P	Screw, 1/4-28 x 3/4
64	712-3027	1	S	Flange Locknut, 1/4-20
65	712-0375	2	/P	Locknut, 3/8-16
66	736-0329	1	S	Lock Washer, 1/4
67	712-3005	1	S	Screw, 3/8 x 1-1/4
68	1769888	1	/P	Upper Blade Rod
69	1915745	1		Transmission Arm
70	1767837	1	/P	Ball Joint
71	1768628	1	/P	Shift Link Rod
72	1769873	1	/P	Upper Transmission Rod
75	1768624	1	/P	Spring Attachment Rod
76	1768636	1	/P	Extension Spring
78	1769872	1	/P	Upper Brake Rod
79	710-0176	2	/P	Screw, 5/16-18 x 2-3/4
80	1769874	1	/P	Shift Rod
81	1904803	1		Clutch Arm Pivot
83	1768630	1	S	Shift Rod Bracket
84	710-0599	2	/P	Flange Lock Screw, 1/4-20 x 1/2
85	1769852	1		Backplate Model 754B & Model F754B
87	1770334	1	/P	V-Belt
90	710-1007	1	/P	Thread Forming Screw, 3/8-16 x 1-1/2
91	710-0654A	3	/P	Thread Forming Screw, 3/8-16 x 1
102	1186229	1	S	Hex Nut, 1/4-20
118	1717897	3	/P	Hair Pin, 5/64
159	1916897	1	/P	Pivot
167	1769882	1	/P	Pivot Shaft Assembly
168	1904804	1		Brake Arm
169	1100350	3	S	Cotter Pin
170	1187961	1	/P	Drive Pin, 5/32 x 1
171	1730851	1	/P	Clevis Pin, 1/2 x 1-1/4
172	710-0726	2	/P	Screw, 5/16-12 x 3/4
177	710-1260A	2	/P	Flange Screw, 5/16-18 x 3/4
302	687-02014	1		Frame Weldment Assembly
303	1768180	2	/P	Wheel Rim
304	1774129	2	S	Tire
305	1718086	2	S	Valve Stem
400	GW-97092	1	/P	Loctite 242, 0.02 oz. Tube Item not included with unit; order separately.
402	GW-9532	1	/P	Clip Ring
403	710-0501	1	/P	Screw, 1/4-20 x 2.0
404	732-04104	1	S	Belt Guide
405	732-04105	1	S	Belt Guide
406	736-3090	1	/P	Flat Washer
407	787-01112	1	S	Belt Guide
408	GW-20546	4	/P	Flat Washer
409	1774128	2	/P	Wheel Assembly (Inc. Refs. 303-305)



12AF754B766 (2005)
Front Frame Assembly



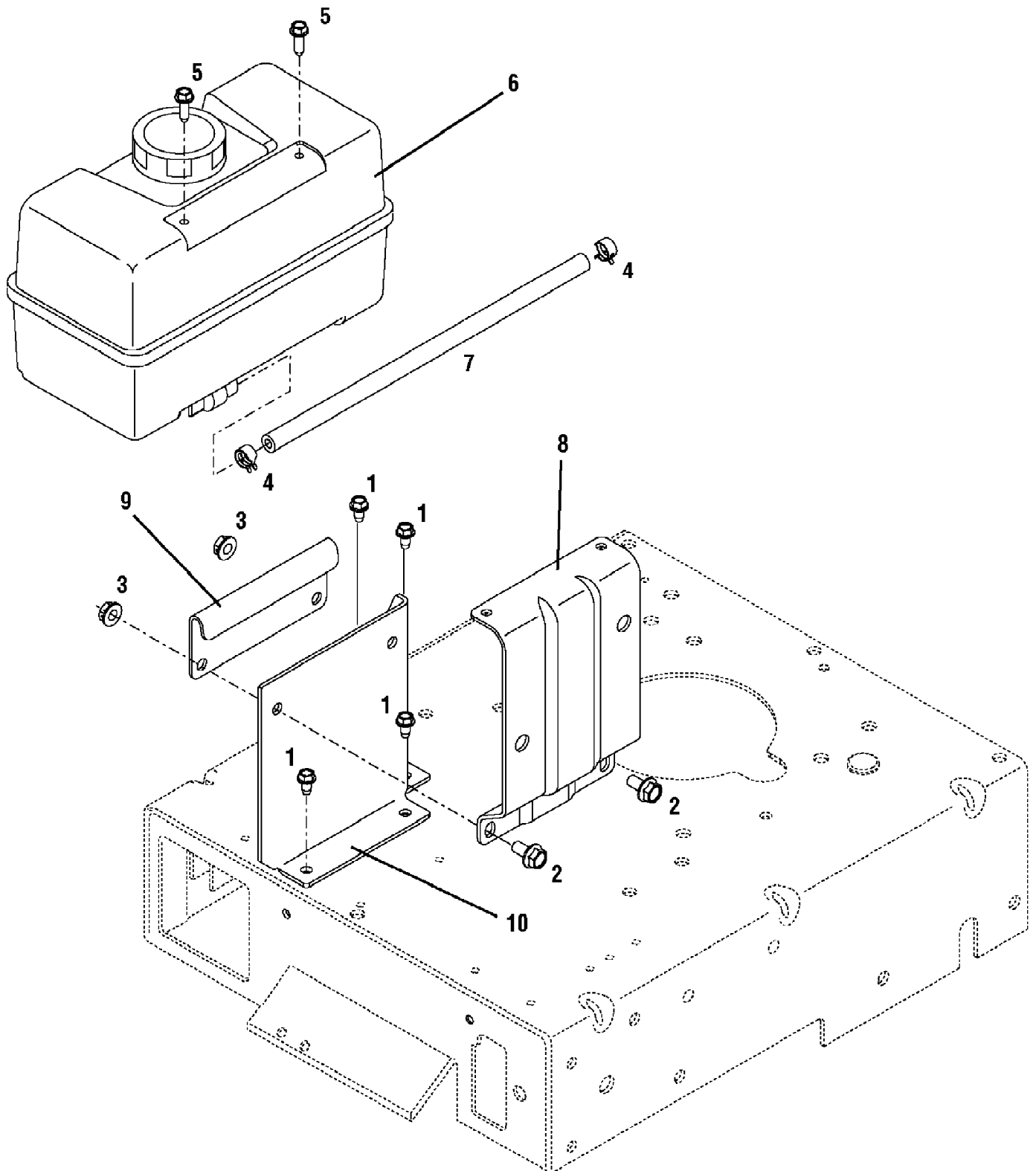
12AF754B766 (2005)
Front Frame Assembly

Page 6 of 17

Ref #	Part Number	Qty	S/P/F	Description
1	1916897	1	/P	Pivot
2	GW-20546	1	/P	Washer
3	GW-9532	1	/P	Clip Ring
11	1186393	9	/P	Flange Locknut, 3/8-16
28	736-3050	6	/P	Flat Washer, 3/8
30	712-3000	1	S	Locknut, 3/8-16
31	1769895	1	S	Lift Crank
47	1100349	1	S	Cotter Pin
53	1701447	4	/P	Special Washer
58	747-04015	1	/P	Lower Blade Rod
73	712-0266	5	S	Flange Locknut, 3/8-16
94	1768231	1	/P	Pivot Block
95	1769521	1	S	Leveler Bar
97	777I00006	1	/P	Cutting Height Decal
100	710-0227	8	/P	Tap Screw, #8 x 3/8
101	1769007	1	/P	Compression Spring
103	726-04008	2	S	Speed Nut, 5/16-18
104	787-01018	1		Belt Guard
105	726-04006	2	S	Speed Nut, 5/16-18
106	1100352	4	/P	Cotter Pin
108	734-04005	2	/P	Gage Wheel
110	1186329	2	S	Flange Lock Screw, 5/16 x 3/4
149	777D06078	1	/P	Logo Decal
151	777D06077	1	/P	33" Combination Deck Decal
158	1769767	1	/P	V-Belt
165	1754125	5	/P	Shoulder Bolt
174	712-0290	1	/P	Toplock Nut
307	1769903	1	S	Rear Lift Assembly
308	1185469	2	S	Roll Pin, 1/4 x 1
309	736-0237	1	/P	Flat Washer, 5/8
310	1770248	1		Front Lift Assembly
311	1768477	2	S	Spindle Assembly
312	1764140	4	/P	Flange Bearing
313	687-02003	1	S	Gage Support
314	1185976	2	S	Grease Fitting
315	1185759	2	/P	Drive Pin, 1/4 x 3
316	787-01003	2	S	Mower Support
317	710-04042	4	/P	Whizlock Screw, 3/8-18 x 1

12AF754B766 (2005)
Fuel Tank Assembly

Page 7 of 17

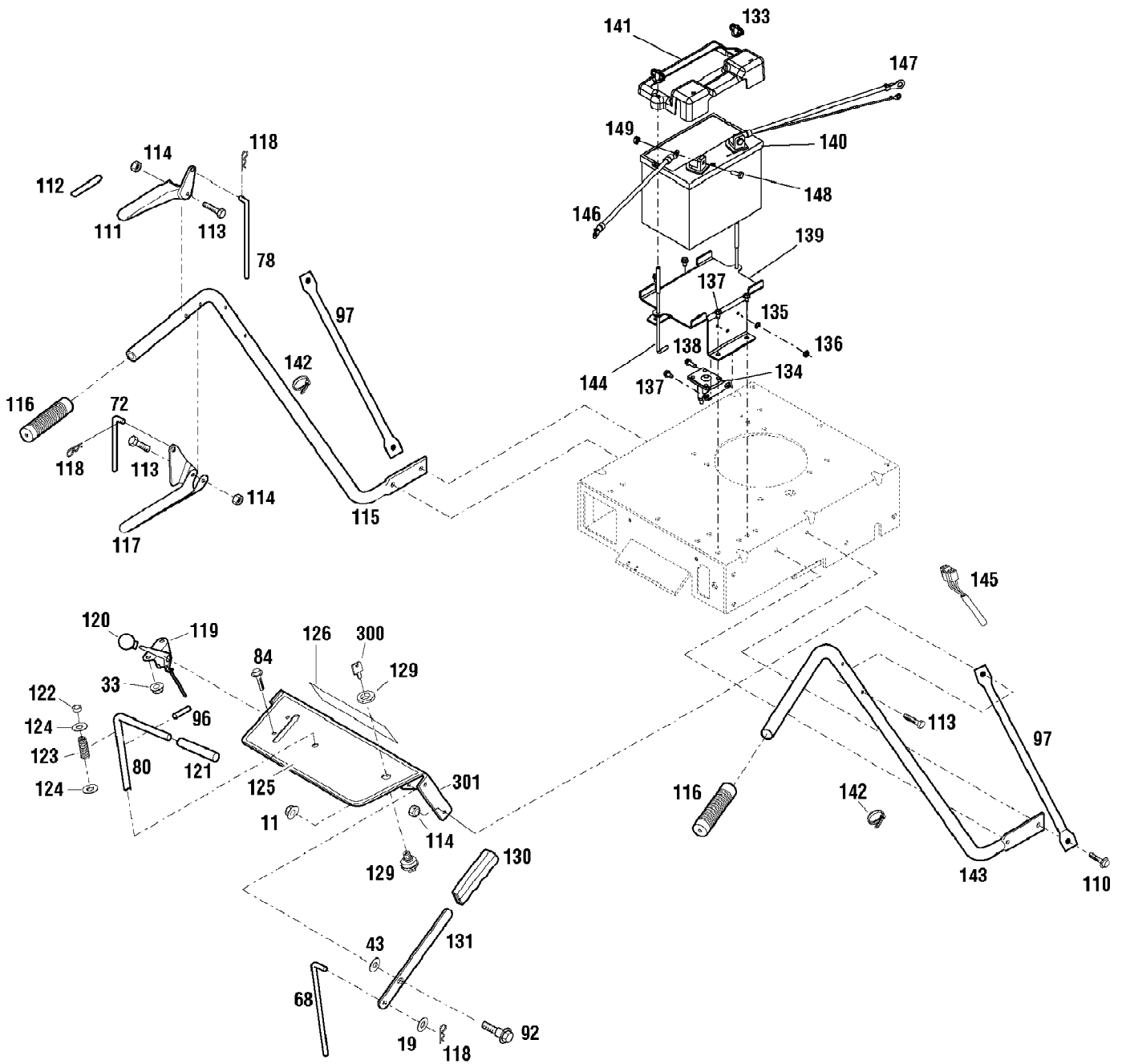


12AF754B766 (2005)
Fuel Tank Assembly

Page 8 of 17

Ref #	Part Number	Qty	S/P/F	Description
1	710-0599	4	/P	Self-tapping Screw, 1/4-20 x 1/2
2	710-0759	2		Hex Flange Screw, 5/16-18 x 5/8
3	712-3004A	2	/P	Flange Locknut, 5/16-18
4	726-0205	2	/P	Hose Clamp
5	751B095337	2		Screw, K80 x 3.59
6	751B493337	1	S	Fuel Tank, 1 gal. (Incl. Fuel Cap)
7	751-0535	1		Fuel Line, 12"
8	781-0497	1		Mounting Bracket, Fuel Tank
9	781-0498	1	S	Support Bracket, Fuel Tank
10	787-01123	1	S	Bracket, Fuel Tank

12AF754B766 (2005)
Handlebar And Console Assembly



Ref #	Part Number	Qty	S/P/F	Description
11	1186393	1	/P	Flange Locknut, 3/8-16
19	736-0275	4	S	Flat Washer, 5/16
33	1186389	2	/P	Flange Locknut, 1/4-20
43	1702646	1	/P	Flat Washer, 1/2
68	1769888	1	/P	Upper Blade Rod
72	1773607	1	/P	Upper Transmission Rod
78	1769872	1	/P	Upper Brake Rod
80	1769874	1	/P	Shift Rod
84	710-0599	2	/P	Flange Lock Screw, 1/4-20 x 1/2
92	1703051	1	/P	Shoulder Bolt
96	1185279	1	/P	Roll Pin, 1/4 x 2-1/4
97	1915545	2		Brace, Handlebar Model 754B & Model F754B
110	710-0817	4		Flange Lock Screw, 5/16 x 3/4
111	1770445	1	S	Control Handle
112	777I00001	1		Operator Presence Control Decal
113	710-0136	6	/P	Screw, 1/4-20 x 1-3/4, Grade 8
114	712-3055	2		Locknut, 1/4-20
115	1764922	1	S	Left Handlebar Model 754B & Model F754B
116	1703539	2	S	Handle Grip
117	1773605	1	S	Control Handle
118	1717897	3	/P	Hair Pin, 5/64
119	1768191	1	S	Throttle Control
120	1737118	1	S	Knob
121	1737041	1	/P	Handle Grip
122	1715716	1	/P	Nylon Bushing
123	1721492	1	/P	Compression Spring
124	736-3019	1		Flat Washer, 1/2
125	777S32064	1		Warning Decal Model 754B
	777S32233	1		Warning Decal Model F754B
126	777D06080	1		Logo Decal Model 754B & Model F754B
129	725-0267B	1	S	Ignition Switch w/ Key Model F754B
130	720-0313	1	/P	Handle Grip
131	1768223	1	/P	Mower Engage Lever
133	712-0397	2	S	Wing Nut, 1/4-20 Model F754B
134	725-1426	1	S	Solenoid Model F754B
135	736-0222	1	S	External Lock Washer, 1/4 Model F754B
136	712-0298	1	S	Jam Nut, 1/4-20 Model F754B
137	710-0599	5	/P	Self-tapping Screw, 1/4-20 x 1/2 Model F754B
138	710-0642	1	/P	Self-tapping Screw, 1/4-20 x 3/4 Model F754B
139	787-01120	1	S	Battery Bracket Model F754B
140	725-1706A	1	S	Battery, 270 CCA Model F754B
141	731-0707A	1		Battery Cover Model F754B
142	725-0157	5	/P	Plastic Tie
143	1764923	1	S	Right Handlebar Model 754B & Model F754B
144	711-0222A	2	S	Battery Hold-down Rod Model F754B
145	725-04088	1	S	Wiring Harness Model F754B
146	725-04086	1		Red Wire, 12" Model F754B
147	725-04087	1		Black Wire, 14" Model F754B
148	710-3015	2	/P	Hex Screw, 1/4-20 x .75 Model F754B

12AF754B766 (2005)
Handlebar And Console Assembly

Page 11 of 17

Ref #	Part Number	Qty	S/P/F	Description
149	712-0271	2	/P	Hex Sems Nut, 1/4-20 Model F754B
300	725-0201	2	S	Ignition Key Model F754B
301	1768625	1		Console Assembly

12AF754B766 (2005)
Mower Deck Assembly

Page 13 of 17

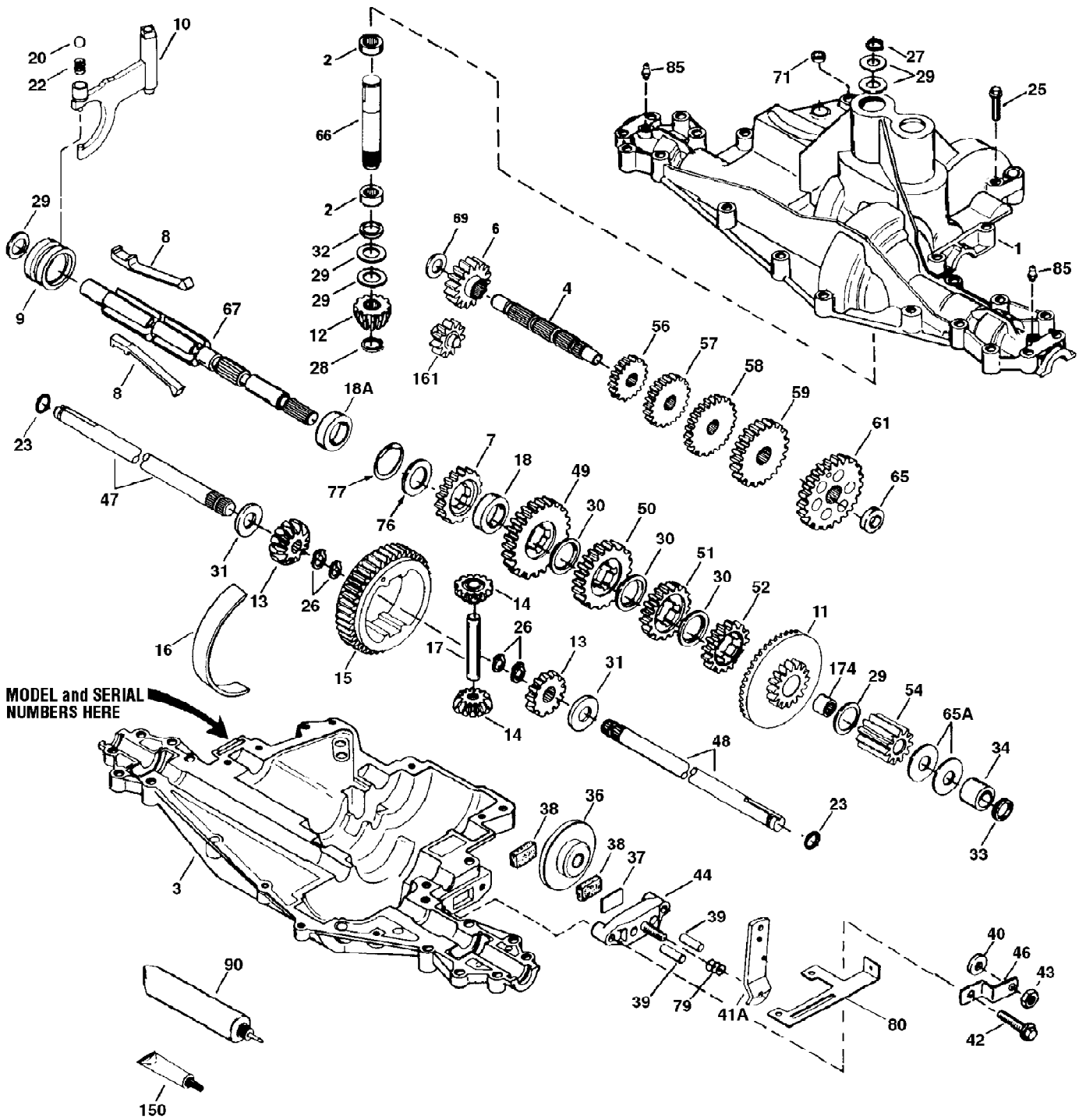
Ref #	Part Number	Qty	S/P/F	Description
2	1185574	4	S	Ball Bearing
3	1746869	2	/P	Spacer
4	1915280	2	S	Mower Spindle
7	711-04020	1	S	Spindle Shaft
8	1918848	1	/P	Spacer (For right-hand spindle ass'y)
9	1765196	2	/P	Screw, 7/16-14 x 1
10	1765197	2	/P	Belleville Washer
11	1910917	2	/P	Blade, 33" Mulching
13	1771081	2	/P	Flat Head Screw, #10-24 x 1-1/4
14	1771083	1	/P	Brake Pad
15	712-0272	2	/P	Sems Nut, #10-24
17	1773600	1	/P	Toothed Drive Belt
18	777S00004	1		Caution Decal
19	1774220	2	S	Cogged Pulley, 56T
20	1918625	1	/P	Drive Pulley
21	736-0322	2	/P	Flat Washer, 7/16
22	736-0171	2	S	Lock Washer, 7/16
23	710-0602	8	/P	Flange Lock Screw, 5/16-18 x 1
24	1764140	2	/P	Flange Bushing
25	1701055	2	/P	Flat Washer
26	1918626	1	/P	Idler Pulley
27	1100062	2	/P	Hex Head Capscrew, 3/8-16 x 2-1/2
28	787-01019	1		Adapter Trim
29	687-02008	1		Idler Arm
30	N/A	2		Pop Rivet Purchase locally
31	1911021	1	S	Belt Tension Adjustment Bracket
32	1749911	1	/P	Idler Pulley
33	1766787	2	/P	Special Thrust Washer
34	1720717	1	/P	Belt Guide
35	1756595	1	/P	Extension Spring
36	712-3017	2	S	Nut, 3/8-16
37	712-3004A	1	/P	Locknut, 5/16-18
38	1723996	1	/P	Pulley Spacer
39	777S30118	1		Danger Decal
40	736-0262	6	/P	Flat Washer, 3/8 x 3/4
41	736-0169	1	S	Lock Washer, 3/8
42	1701447	2	/P	Flat Washer
43	1764135	1	/P	Belt Guide
44	1769397	2	/P	Screw, 7/16-14 x 1-1/4
46	716-0101	1	S	Retaining Ring
47	777S00008	1	/P	Warning Decal
48	1185715	1	/P	Pyramid Washer, 3/8
50	710-04065	8	/P	Triplask Screw, 1/4-20 x 5/8
51	1771922	2	S	Sprocket Plate
52	631-04011	1	S	Mulcher Cover, Fold-Up Style (Incl. Ref. 28 and 30)
53	1727342	2	S	Cap
54	1910931	1	S	Discharge Chute
55	687-02004	2	S	Weldment Doubler
56	1910951001	1	/P	Bracket, Chute Hinge
57	1910971	1	/P	Spring, Discharge Chute
58	1910972	1	/P	Pin, Discharge Chute
59	710-0650	8	/P	Screw, Thread-Forming

12AF754B766 (2005)
Mower Deck Assembly

Page 14 of 17

Ref #	Part Number	Qty	S/P/F	Description
60	710-0451	1	/P	Bolt, Carriage, 3/8-18 x 3/4
158	1769767	1	/P	V-Belt
318	N/A	1		Mulching Blade Kit Refer to 9, 10 and 11
319	1910906001	1		Mower Deck Weldment Model 754B & Model F754B
320	1769048	1	S	Mower Spindle Assembly (Incl. Refs. 2, 3 & 4)
400	GW-97092	1	/P	Loctite 242, 0.02 oz. Tube Item not included with unit.
401	1735222	1	/P	Black Spray Paint Can, 13 oz. Item not included with unit.

12AF754B766 (2005)
Transaxle Assembly



12AF754B766 (2005)
Transaxle Assembly

Page 16 of 17

Ref #	Part Number	Qty	S/P/F	Description
1	TC-772113	1		Transaxle Cover
1	TC-772135	1		Transaxle Cover
2	TC-780086A	2	/P	Needle Bearing
3	TC-770110	1	S	Transaxle Case
4	TC-776300	1		Countershaft
6	TC-778281	1		Spur Gear (16 teeth)
7	TC-778122A	1		Spur Gear (22 teeth)
8	TC-792160	4	S	Shift Key
9	TC-784373	1		Shift Collar
10	TC-784365	1		Shift Rod & Fork
11	TC-778261	1		Bevel Gear & Bearing (Incl. 174)
12	TC-778262	1		Bevel Pinion (14 teeth)
13	TC-778221	2		Bevel Gear (16 teeth)
14	TC-778068	2	S	Differential Pinion
15	TC-778260	1		Ring Gear
16	TC-786150	1		Bearing Strip
17	TC-786139	1		Drive Pin
18	TC-786147	1		Neutral Spacer
18A	TC-786159	1		Neutral Spacer
20	TC-792077	1	S	Ball, 5/16" dia.
22	TC-792079	1	/P	Spring
23	TC-788061	2	/P	Seal Ring
25	TC-792073	17	S	Screw, 1/4-20 x 1-1/4"
26	TC-792125	4		Retaining Ring
27	TC-792035	1	/P	Retaining Ring
28	TC-788040	1	/P	Retaining Ring
29	TC-780072	6	/P	Washer
30	TC-780108	3	/P	Washer
31	TC-780001	2		Washer
32	TC-792001	1	/P	"O" Ring
33	TC-788076	1		"O" Ring
34	TC-780159	1		Bushing
36	TC-790071	1		Brake Disk
37	TC-790007	1	/P	Brake Pad Plate
38	TC-799021	2	S	Brake Pad (pkg. of 2)
39	TC-786026	2	/P	Dowel Pin
40	TC-792076A	1	S	Washer
41	TC-790045	1		Brake Lever
42	TC-792073	2	S	Screw, 1/4-20 x 1-1/4"
43	TC-792075	1	S	Locknut, 5/16-24
44	TC-790025	1		Brake Pad Holder
46	TC-786086	1		Brake Lever Bracket
47	TC-774747	1		Axle (16-1/4" long)
48	TC-774888	1		Axle (11" long)
49	TC-778124A	1	/P	Spur Gear (30 teeth)
50	TC-778123A	1	/P	Spur Gear (25 teeth)
51	TC-778122A	1		Spur Gear (22 teeth)
52	TC-778273	1		Spur Gear (19 teeth)
54	TC-778263	1		Spur Gear (11 teeth)
56	TC-778126A	1	/P	Spur Gear (20 teeth)
57	TC-778127A	1	/P	Spur Gear (25 teeth)
58	TC-778128A	1		Spur Gear (28 teeth)
59	TC-778129A	1		Spur Gear (30 teeth)

12AF754B766 (2005)
Transaxle Assembly

Page 17 of 17

Ref #	Part Number	Qty	S/P/F	Description
61	TC-778265	1		Spur Gear (34 teeth)
65	TC-780162	1		Washer
65A	TC-780160	2		Washer
66	TC-776299	1		Input Shaft
67	TC-776352	1		Shifter & Brake Shaft
69	TC-780161	1		Washer
71	TC-788069	1		Square Cut Ring
76	TC-780090	1		Washer
77	TC-788078A	1		Inverted Retaining Ring (pkg. of 2)
79	TC-792144	1		Spring
80	TC-790063A	1		Brake Bracket
85	TC-792137	2	S	Lubrication Fitting
90	TC-788067B	1	S	Grease (32 oz. bottle Bentonite grease)
150	510334	1	S	Gasket Eliminator (Loctite #515)
161	776302	1		Reverse Idler
174	780085	1		Needle Bearing